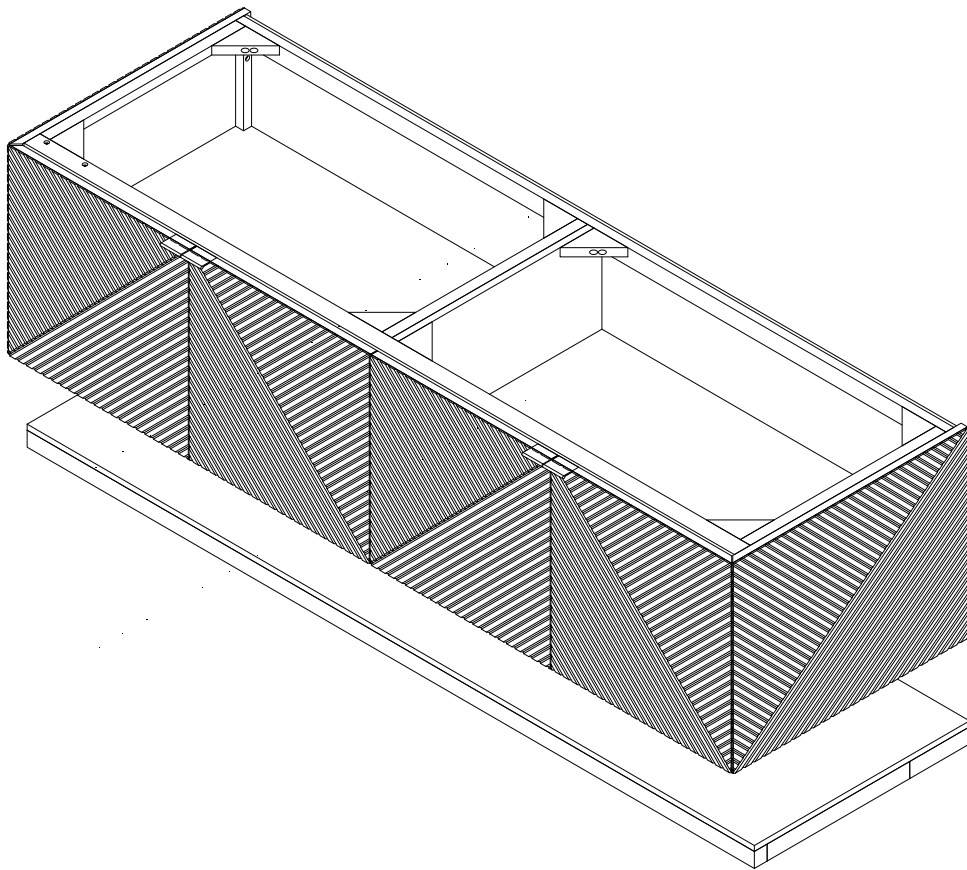


MARCELLO 72IN DOUBLE WALL MOUNT VANITY - CHESTNUT, D200-V72-CSN ASSEMBLY INSTRUCTION



Thank you for choosing this quality product. Be sure to check all packaging materials carefully for small parts that may have loosened inside the carton during shipment and place on a non-abrasive surface.

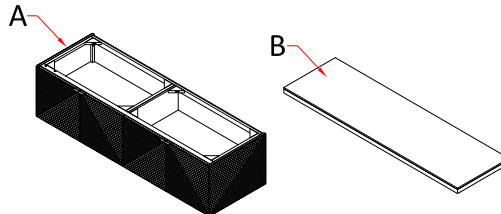
IMPORTANT STEPS BEFORE YOU BEGIN:

- For your safety and to achieve the best possible results, James Martin Vanities recommends you consult with a professional contractor.
- These parts can be cumbersome and heavy for some people, therefore the assistance of two or more people is recommended in order to prevent personal injury and ensure the product is not damaged during the assembly process.
- Ensure the vanity cabinet is in place and has been properly installed to meet plumbing codes.
- Shut off the water supply. Water supply and drain access must be in place prior to installing the counter top and sink.
- Ensure the vanity cabinet is level.

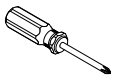
MARCELLO 72IN DOUBLE WALL MOUNT VANITY - CHESTNUT, D200-V72-CSN
ASSEMBLY INSTRUCTION

PART LIST

- A. [1] VANITY CABINET
- B. [1] SHELF



TOOLS NEEDED



Screwdriver
(Not provided)



Drill
(Not provided)



Level
(Not provided)



Tape Measure
(Not provided)



Pencil
(Not provided)



Stud Finder
(Not provided)

HARDWARE LIST

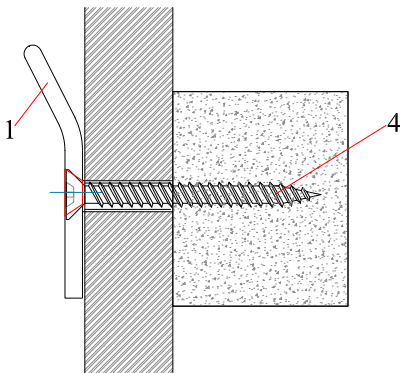
| NO. | SKETCH | DESCRIPTION | SPECIFICATION | QTY. |
|-----|--------|--------------------|----------------------------|---------|
| 1 | | French Cleat | L 66 7/8" | 1 pc. |
| 2 | | Shelf Hanger | 66 7/8" x 14 1/8" x 1 5/8" | 1 pc. |
| 3 | | Hollow Wall Anchor | 5/16" x 1 3/16" | 30 pcs. |

| NO. | SKETCH | DESCRIPTION | SPECIFICATION | QTY. |
|-----|--------|----------------------|-------------------|---------|
| 4 | | Flat-head Wood Screw | M5 x 2 23/64" | 12 pcs. |
| 5 | | Threaded Knob | M6 x Ø1" x 1 3/8" | 3 pcs. |

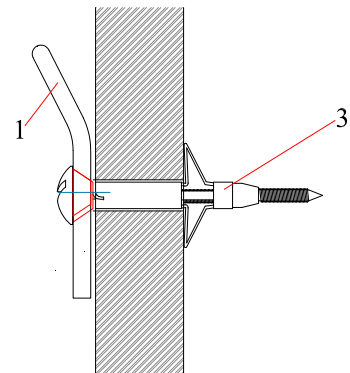
ASSEMBLY INSTRUCTIONS

- **STUDS:** Use screws (4) to affix to studs. **IMPORTANT:** The Vanity Cabinet and Floating Shelf must both be secured to at least four studs.
- **DRYWALL:** Drill pilot hole on each marking and then insert hollow wall anchor (3). Tighten the screws into the anchors while maintaining constant pressure on the anchor to set. Remove screws. Hold metal bracket over the inserted anchors and reinstall screws through the wall bracket holes and tighten until snug against wall.

STUDS



DRY WALL



MARCELLO 72IN DOUBLE WALL MOUNT VANITY - CHESTNUT, D200-V72-CSN ASSEMBLY INSTRUCTION

PREPARING REPAIRING THE WALL FOR INSTALLATION

1. Locate and mark the position of the wall's interior studs to which you will fasten the metal bracket.
We recommend the use of an electronic stud finder to locate the studs.

(Alternately you may find studs by listening for a solid sound as you knock on the wall)

SPECIAL NOTE 1:

Each French cleat must be affixed to 4 wall studs using wood screws (4).

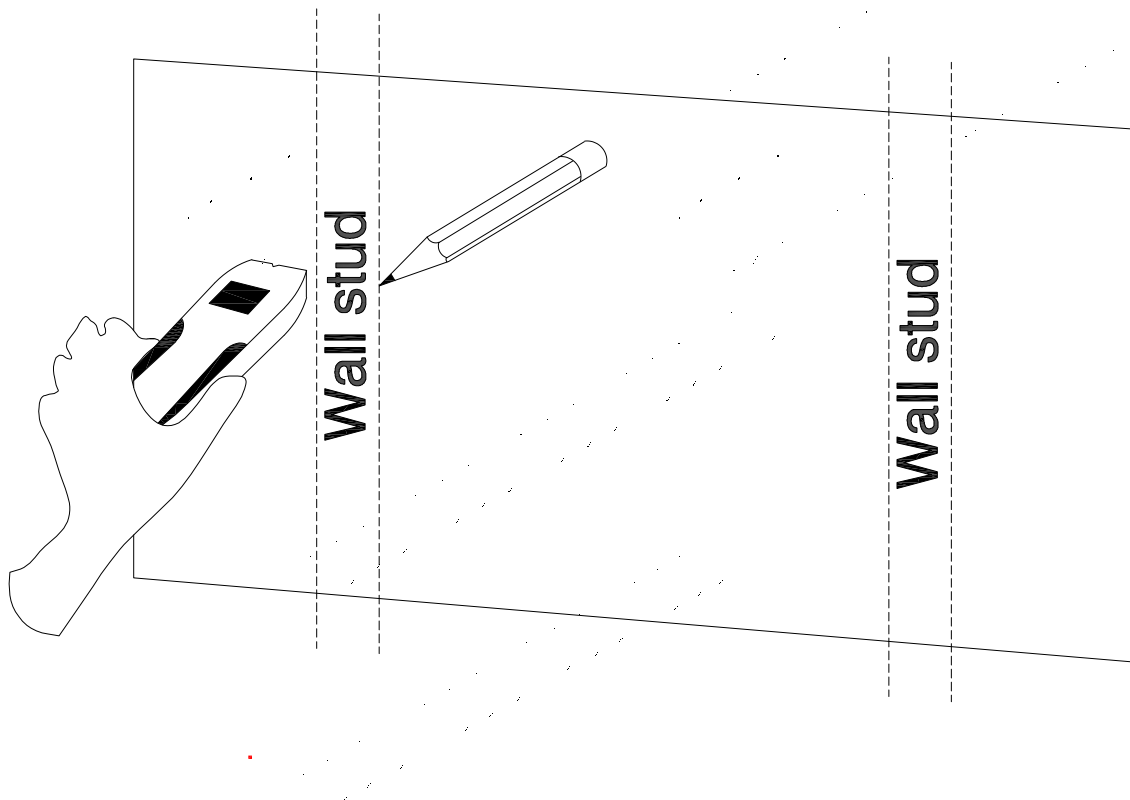
Shelf Hanger must be affixed to at least 4 wall studs using wood screws (4).

If the studs in your bathroom do not line up to the mounting location for your vanity, additional wood blocking can be installed between the studs using standard 2 x 4 lumber.

SPECIAL NOTE 2:

To ensure a secure fit for both the Vanity and the Shelf, use the wall anchors (3) for all holes on the French Cleat (1) and Shelf Hanger (2) that don't align with studs.

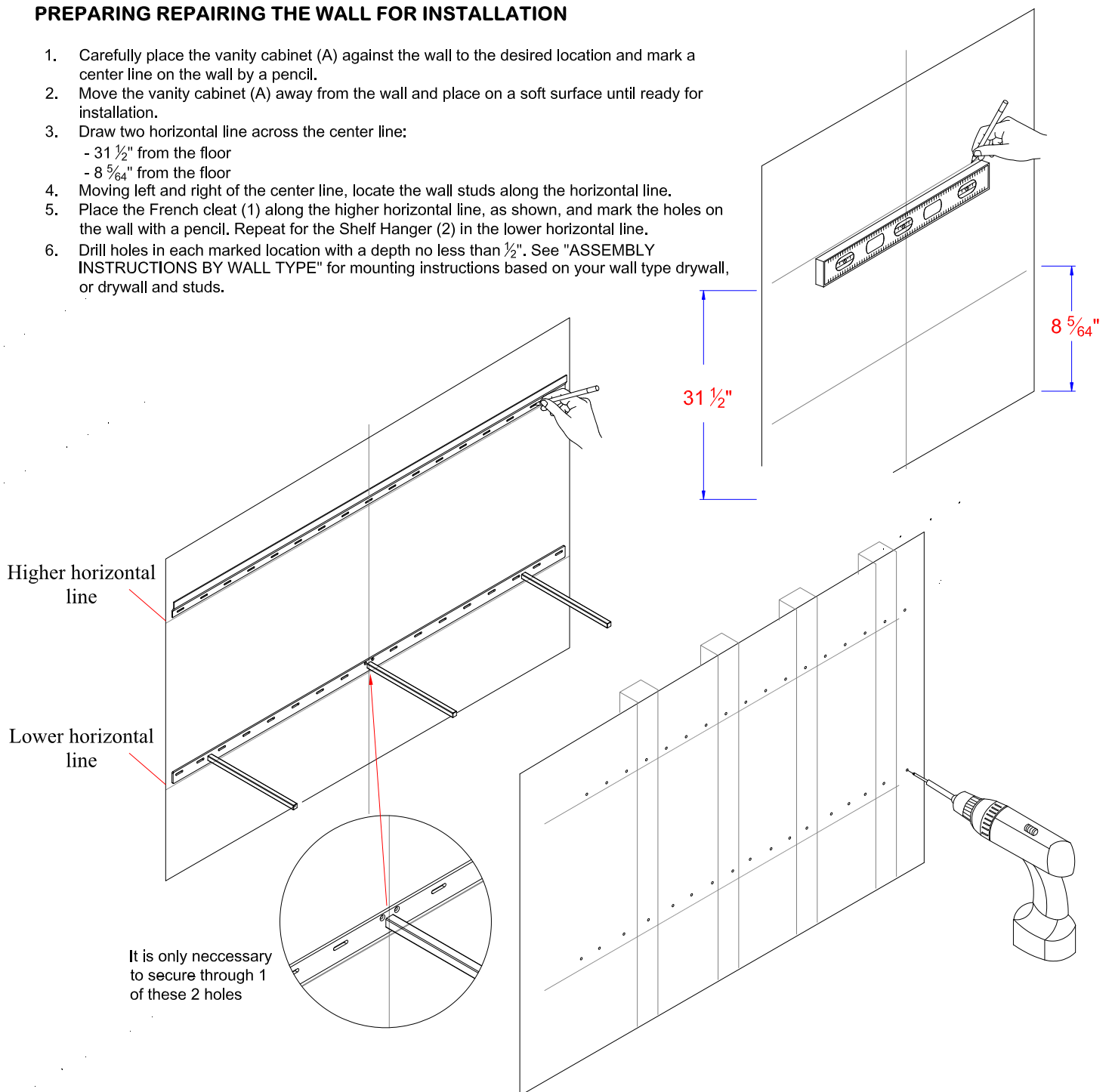
IMPORTANT: James Martin Vanities recommended you always consult with professional installers and contractors regarding the correct installation of our products.



MARCELLO 72IN DOUBLE WALL MOUNT VANITY - CHESTNUT, D200-V72-CSN
ASSEMBLY INSTRUCTION

PREPARING REPAIRING THE WALL FOR INSTALLATION

- Carefully place the vanity cabinet (A) against the wall to the desired location and mark a center line on the wall by a pencil.
- Move the vanity cabinet (A) away from the wall and place on a soft surface until ready for installation.
- Draw two horizontal line across the center line:
 - $31\frac{1}{2}$ " from the floor
 - $8\frac{5}{64}$ " from the floor
- Moving left and right of the center line, locate the wall studs along the horizontal line.
- Place the French cleat (1) along the higher horizontal line, as shown, and mark the holes on the wall with a pencil. Repeat for the Shelf Hanger (2) in the lower horizontal line.
- Drill holes in each marked location with a depth no less than $\frac{1}{2}$ ". See "ASSEMBLY INSTRUCTIONS BY WALL TYPE" for mounting instructions based on your wall type drywall, or drywall and studs.



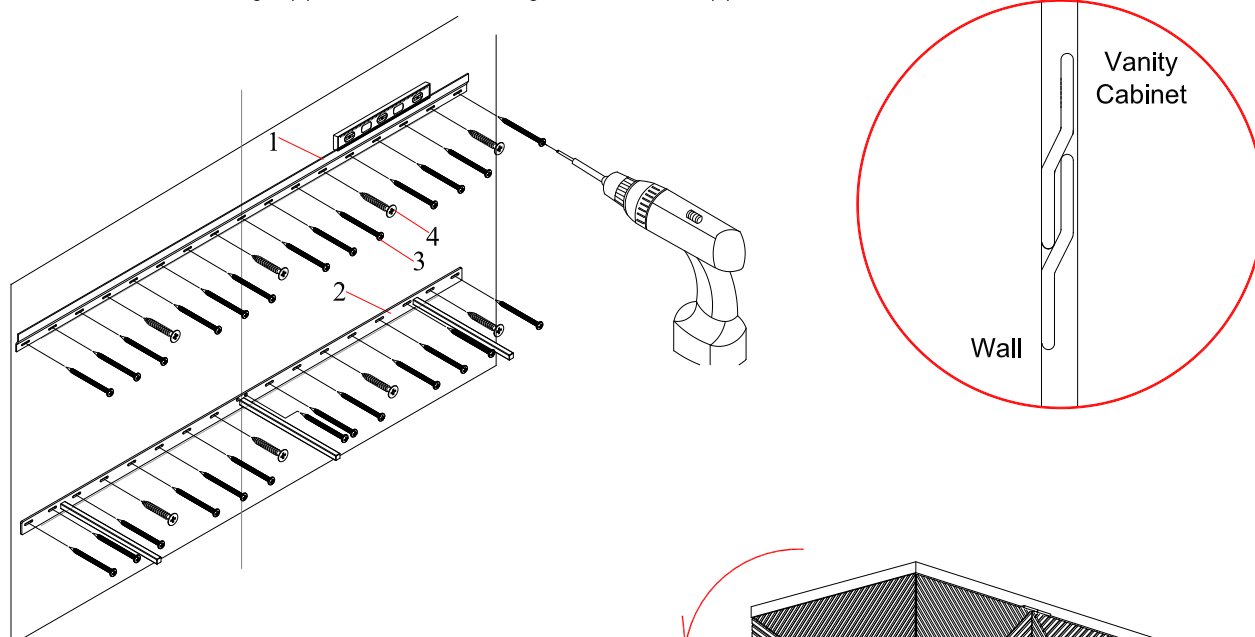
MARCELLO 72IN DOUBLE WALL MOUNT VANITY - CHESTNUT, D200-V72-CSN ASSEMBLY INSTRUCTION

INSTALLING THE FRENCH CLEAT AND SHELF BRACKET

1. Attach French cleat (1) to the wall using the pre-marked location on the higher horizontal line and in accordance with the proper wall type for each hole. Ensure that the straight edge of the cleat is along the marked line as shown.
2. Attach the Shelf Hanger in the same manner along the lower horizontal line.

NOTE: For proper installation

- Attach each French cleat (1) to 4 studs using the wood screws (4)
- Attach the shelf hanger (2) to at least 4 studs using the wood screws (4)

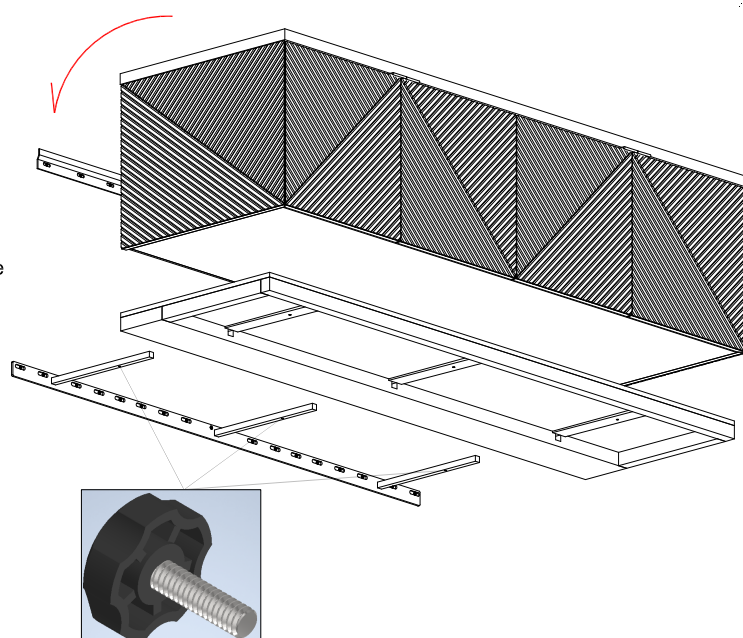


INSTALLING VANITY AND SHELF

1. Using at least two people, carefully lift the vanity cabinet (A) so the French cleat on the back of the vanity slides over and rests on the French cleat on the wall.
2. Slide the shelf (B) onto the Shelf Hanger (2) then insert the threaded knob (5) and turn clockwise manually to affix the shelf to Shelf Hanger.

⚠ Warning

1. After installation, the shelf may have a natural "give" of 5mm
2. DECORATIVE USE ONLY - NO STEP - Load Capacity 60 LBS maximum load.



CARE INSTRUCTIONS

1. Dust often using a clean, soft, dry and lint-free cloth.
2. Blot spills immediately and wipe with a clean, damp, cloth.
3. We do not recommend the use of chemical cleansers, abrasives or furniture polish on our lacquered finish. Product can be cleaned using a damp cloth soaked in warm soapy water followed by wiping clean with a dry lint-free cloth.

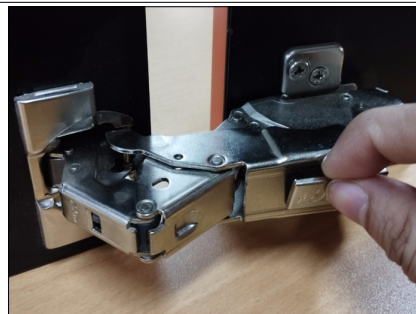
ADJUSTMENT INSTRUCTION FOR BLUM HINGE CONCEALED

Ensure the doors to be properly assembled and adjusted to have a balance gap round to avoid scratches and/or damage finishing and/or leather during opening and closing the doors"

Read the following recommendation:

IMPORTANT

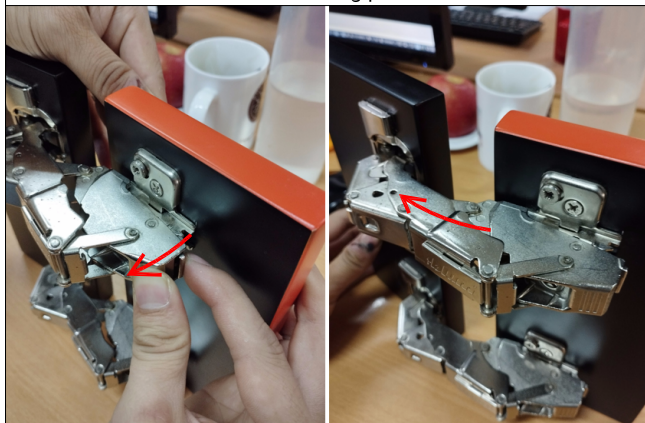
To proceed adjust the hinge, need to remove the cover plate on the hinge before you begin.



DOOR ATTACHMENT

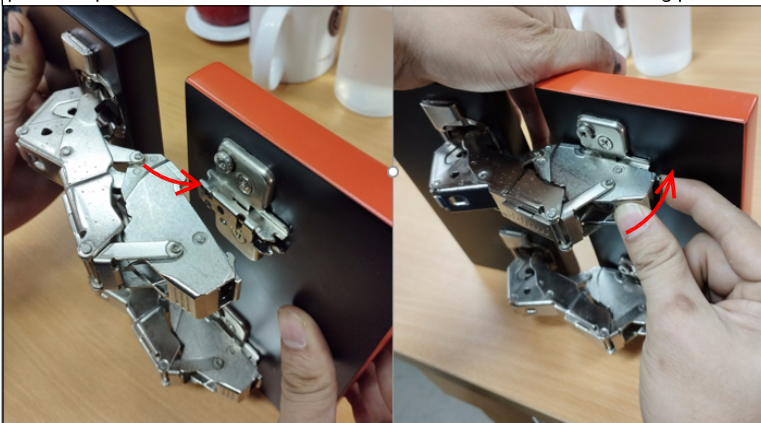
REMOVE DOOR

Unlock by squeeze button at the end of the hinge, then slide hinge forward to remove from the mounting plate.



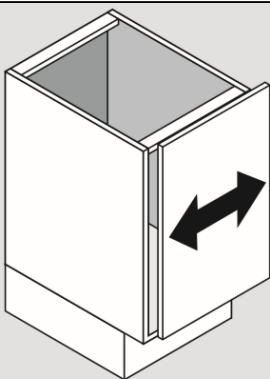
ATTACH DOOR

To install slide hinge on to the mounting plate, hook the front of hinge to the mounting plate and push the back end until the button have be affix into the mounting plate.



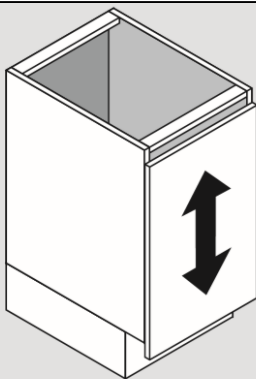
SIDE ADJUSTMENT

Turn front screw to increase or decrease door overlay.
Range = $\pm 2\text{mm}$



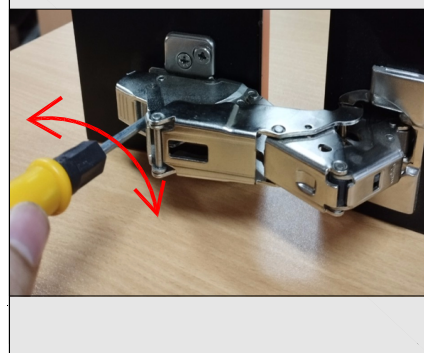
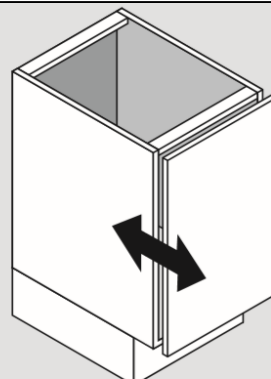
HEIGHT ADJUSTMENT

Loosen screw on the mounting plate.
Adjust the door to position and re-tighten screws.
Range = $\pm 3\text{mm}$



DEPTH ADJUSTMENT

Loosen back screw. Adjust the door to position and re-tighten screw.
Range = $\pm 2\text{mm}$



Thank you for your purchase